

# MTC-6019-PoE

19" Fanless Multi-Touch Computer with Intel® Core™ i7/i5/i3 Processor (Kaby Lake/Skylake), 6 GigE LAN with 4 PoE\*, 2 SSD Tray, 2 SIM Socket, 5 USB 3.0, 16 Isolated DIO



## Features

- 19" TFT LCD panel with LED backlight
- Projected Capacitive Multi-touch Screen with 7H anti-scratch surface, up to 10-point Multi-touch
- Fanless, Intel® Core™ i7/i5/i3 U-series SoC (Kaby Lake/Skylake)
- 6 Independent GigE LAN with 4 IEEE 802.3at PoE\*
- 2 Mini PCIe for WiFi/4G/3G/LTE/GPRS/UMTS
- 16 Isolated DIO, 2 SSD Tray, 5 USB 3.0, 4 COM
- 6V to 36V DC-in, 80V Surge Protection, Ignition Power Control
- Touchscreen works with gloves
- IP65 Front Panel Protection



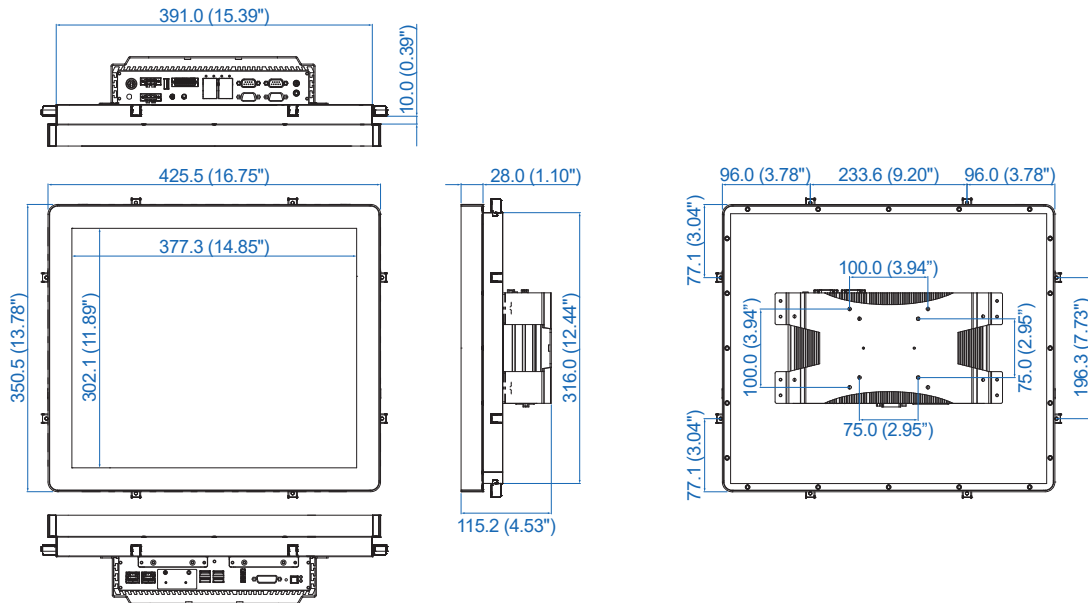
## Specifications

Panel	
Panel Type	TFT LCD
Active Area	19" (4 : 3)
Max. Resolution	1280 x 1024
Display Color	16.7M (RGB 8-bit)
Backlight	LED Backlight
Brightness (cd/m <sup>2</sup> )	250
Viewing Angle (H/V)	85/85/80/80
Contrast Ratio	1000 : 1
Touch Screen	
Touch Screen Type	10-point Projected Capacitive
Transparency	≥ 91%
Surface Hardness	7H Surface Hardness
Control Interface	USB Interface
System	
Processor	Intel® Core™ i7-7600U/i7-6600U/i5-6300U/Celeron® 3955U Processor (Kaby Lake-U/Skylake-U)
Chipset	Intel® SoC (Kaby Lake-U/Skylake-U)
Memory	2 DDR4 2400/2133 MHz SO-DIMM, up to 64GB
Graphics	Intel® HD Graphics 520
Ethernet	<ul style="list-style-type: none"> <li>▪ Intel® I219LM GigE LAN supports iAMT 11.0</li> <li>▪ Intel® I210 Gigabit LAN</li> </ul>
Audio	Realtek ALC892, 5.1 Channel HD Audio
I/O Interface	
Serial	4 COM RS-232/422/485
USB	5 USB 3.0
DIO	16 Isolated DIO : 8 DI, 8 DO
LAN	6 GigE LAN with 4 IEEE 802.3at PoE*
Audio	1 Mic-in, 1 Line-out
Display	<ul style="list-style-type: none"> <li>▪ DVI-D : Up to 1920 x 1200 @ 60Hz</li> <li>▪ DisplayPort : Up to 4096 x 2304 @ 60Hz</li> </ul>
LED	Power, HDD, Wireless, PoE
CFast	1 CFast Socket, Push-in/Push-out Ejector
SIM Card	2 SIM Card Socket (External)
Storage	
SATA	2 SATA III (6Gbps)
mSATA	1 SATA III (Mini PCIe Type, 6Gbps)
Storage Device	<ul style="list-style-type: none"> <li>▪ 1 External CFast Socket</li> <li>▪ 2 2.5" SSD/HDD Tray</li> </ul>

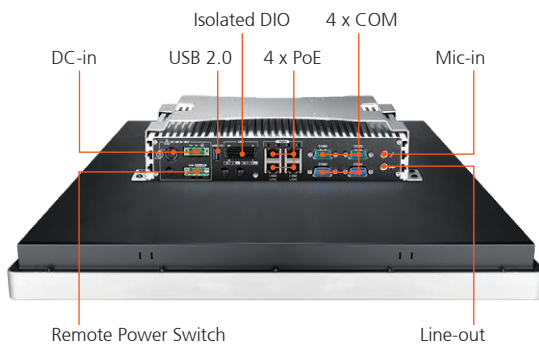
Power	
Power Input	6V to 36V, DC-in
Power Interface	<ul style="list-style-type: none"> <li>▪ 3-pin Terminal Block : V+, V-, Frame Ground</li> <li>▪ Mini-DIN 4-pin</li> </ul>
Power Adapter	AC to DC 120W Power Adapter (Optional)
Ignition Control	16 Mode (Internal)
Remote Switch	3-pin Terminal Block : On, Off, IGN
Surge Protection	Up to 80V/1ms Transient Power
Others	
TPM	Optional Infineon SLB9665 supports TPM 2.0, LPC Interface
Watchdog Timer	Reset : 1 to 255 sec./min. per step
Smart Management	Wake on LAN, PXE supported
HW Monitor	Monitoring temperature, voltages. Auto throttling control when CPU overheats.
Software Support	
OS	Windows 10, Windows 8.1, Windows 7, Linux
Mechanical	
Dimensions (W x H x L)	425.5mm x 350.5mm x 115.2mm (16.75" x 13.8" x 4.53")
Weight	9.2 kg (20.26 lb)
Front Panel Protection	IP65 Compliant
Mounting	<ul style="list-style-type: none"> <li>▪ VESA Mount (75 x 75mm, 100 x 100mm)</li> <li>▪ Panel Mount</li> </ul>
Environment	
Operating Temperature	0°C to 50°C (32°F to 122°F)
Storage Temperature	-20°C to 60°C (-4°F to 140°F)
Humidity	10% to 90% Humidity, non-condensing
Relative Humidity	95% @ 50°C
Shock	<ul style="list-style-type: none"> <li>▪ IEC 60068-2-27</li> <li>▪ 20G, Half-sine, 11ms</li> </ul>
Vibration	<ul style="list-style-type: none"> <li>▪ IEC 60068-2-64</li> <li>▪ Non-operation : 10Hz to 200Hz, 1.5Grms, X, Y, Z, 30 mins each Axis</li> </ul>
EMC	CE, FCC

## Dimensions

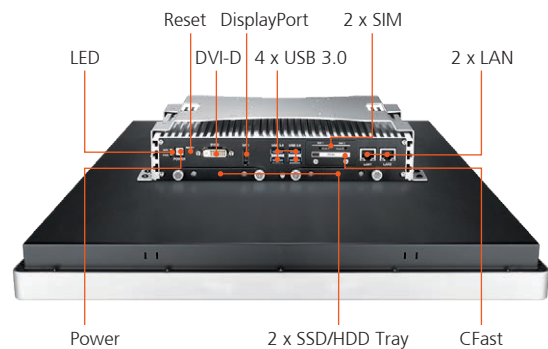
Unit : mm/ inch



## Top I/O



## Bottom I/O



## Order Information

<b>MTC-6019-POER7600U</b>	MTC-6019 19" Fanless Multi-Touch Computer, Intel® Core™ i7-7600U Processor (Skylake-U), 6 GigE LAN with 4 PoE+, 2 Front-access SSD Tray, 5 USB 3.0, 3 USB 2.0, Isolated DIO
<b>MTC-6019-POER600U</b>	MTC-6019 19" Fanless Multi-Touch Computer, Intel® Core™ i7-6600U Processor (Skylake-U), 6 GigE LAN with 4 PoE+, 2 Front-access SSD Tray, 5 USB 3.0, 3 USB 2.0, Isolated DIO
<b>MTC-6019-POER300U</b>	MTC-6019 19" Fanless Multi-Touch Computer, Intel® Core™ i5-6300U Processor (Skylake-U), 6 GigE LAN with 4 PoE+, 2 Front-access SSD Tray, 5 USB 3.0, 3 USB 2.0, Isolated DIO
<b>MTC-6019-POER955U</b>	MTC-6019 19" Fanless Multi-Touch Computer, Intel® Celeron® 3955U Processor (Skylake-U), 6 GigE LAN with 4 PoE+, 2 Front-access SSD Tray, 5 USB 3.0, 3 USB 2.0, Isolated DIO

## Accessories

<b>DDR4 32G</b>	Certified DDR4 32GB 2666MHz RAM
<b>DDR4 16G</b>	Certified DDR4 16GB 2133MHz RAM
<b>DDR4 8G</b>	Certified DDR4 8GB 2133MHz RAM
<b>DDR4 4G</b>	Certified DDR4 4GB 2133MHz RAM
<b>PWA-120W</b>	120W, 24V, 90VAC to 264VAC Power Adapter with 3-pin Terminal Block
<b>PWA-120WM4P</b>	120W, 24V, 90VAC to 264VAC Power Adapter with 4-pin Mini-DIN Connector
<b>PWA-160W-WT</b>	160W, 24V, 85VAC to 264VAC Power Adapter with 3-pin Terminal Block, Wide Temperature -30°C to +70°C
<b>Panel-Mount</b>	Panel Mount Kit
<b>VESA Stand</b>	VESA Table Stand
<b>TMK2-20P-100</b>	Terminal Block 20-pin to Terminal Block 20-pin Cable, 100cm
<b>TMK2-20P-500</b>	Terminal Block 20-pin to Terminal Block 20-pin Cable, 500cm
<b>TMB-TMBK-20P</b>	Terminal Board with One 20-pin Terminal Block Connector and DIN-Rail Mounting
<b>4G Module</b>	Mini PCIe 4G/GPS Module with Antenna
<b>WiFi &amp; Bluetooth Module</b>	WiFi & Bluetooth Module with Antenna